


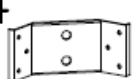




N32

 M8x70 x8

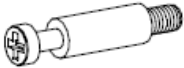
S13

 x4


N5

 x4

M24

 x4

H11

 x1


P4

 x4

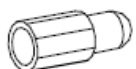
K5

 x12

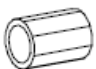
G34

 3,5x16 x50

K1

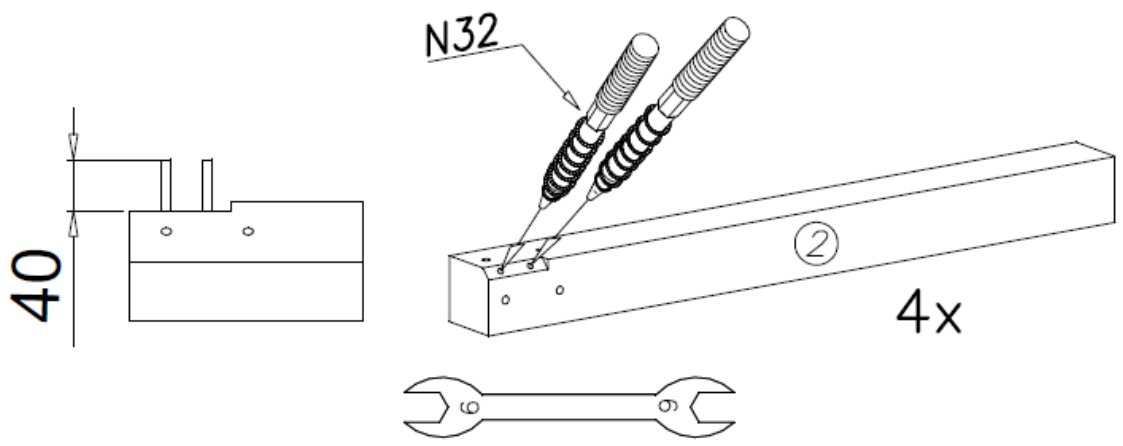
 ø15x12 x12

B1

 ø8x35 x24

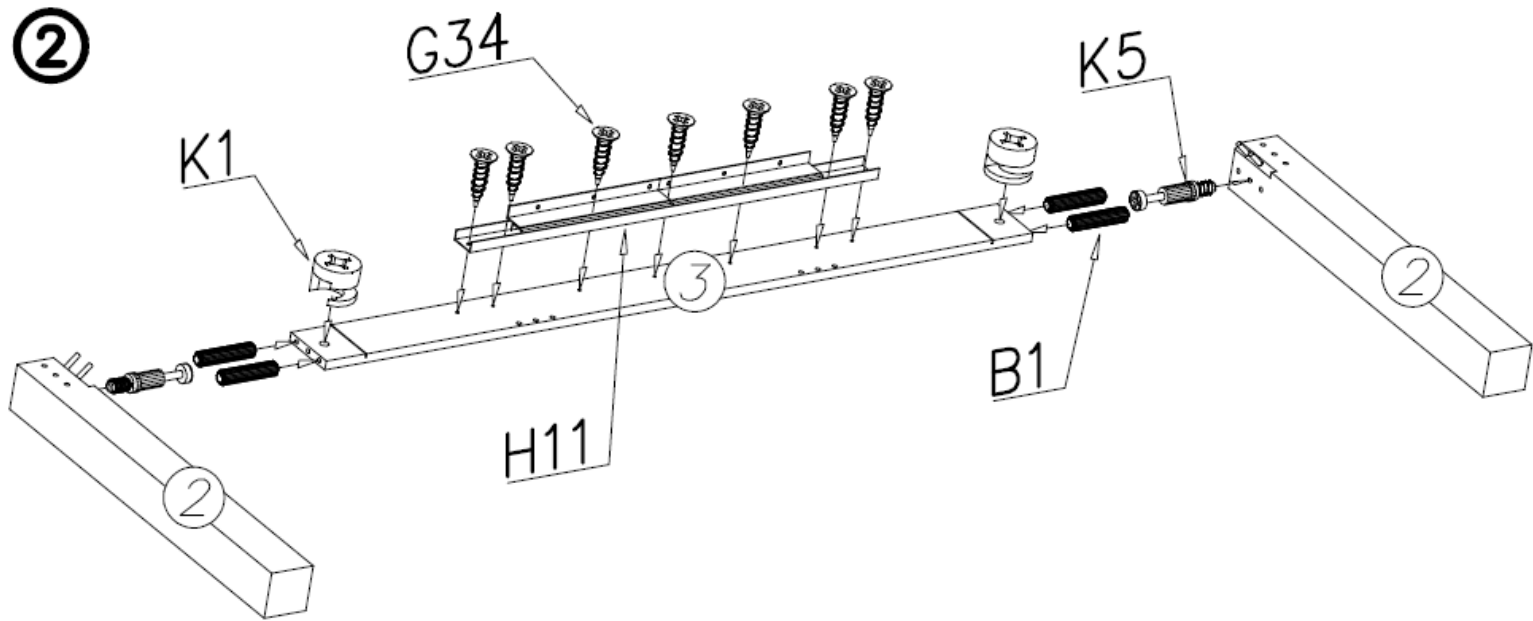
B5

 x4

B6

 x4

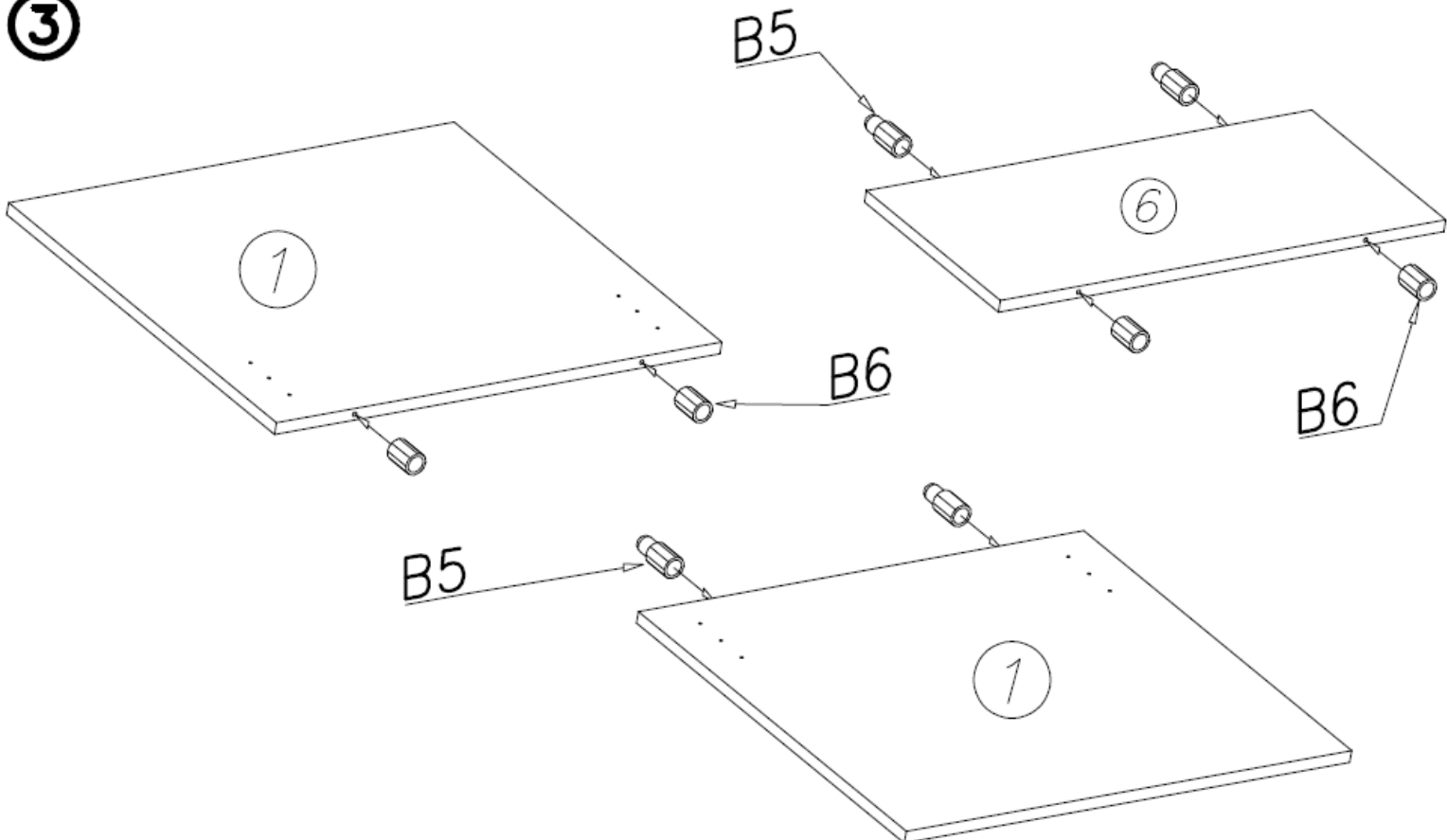
①



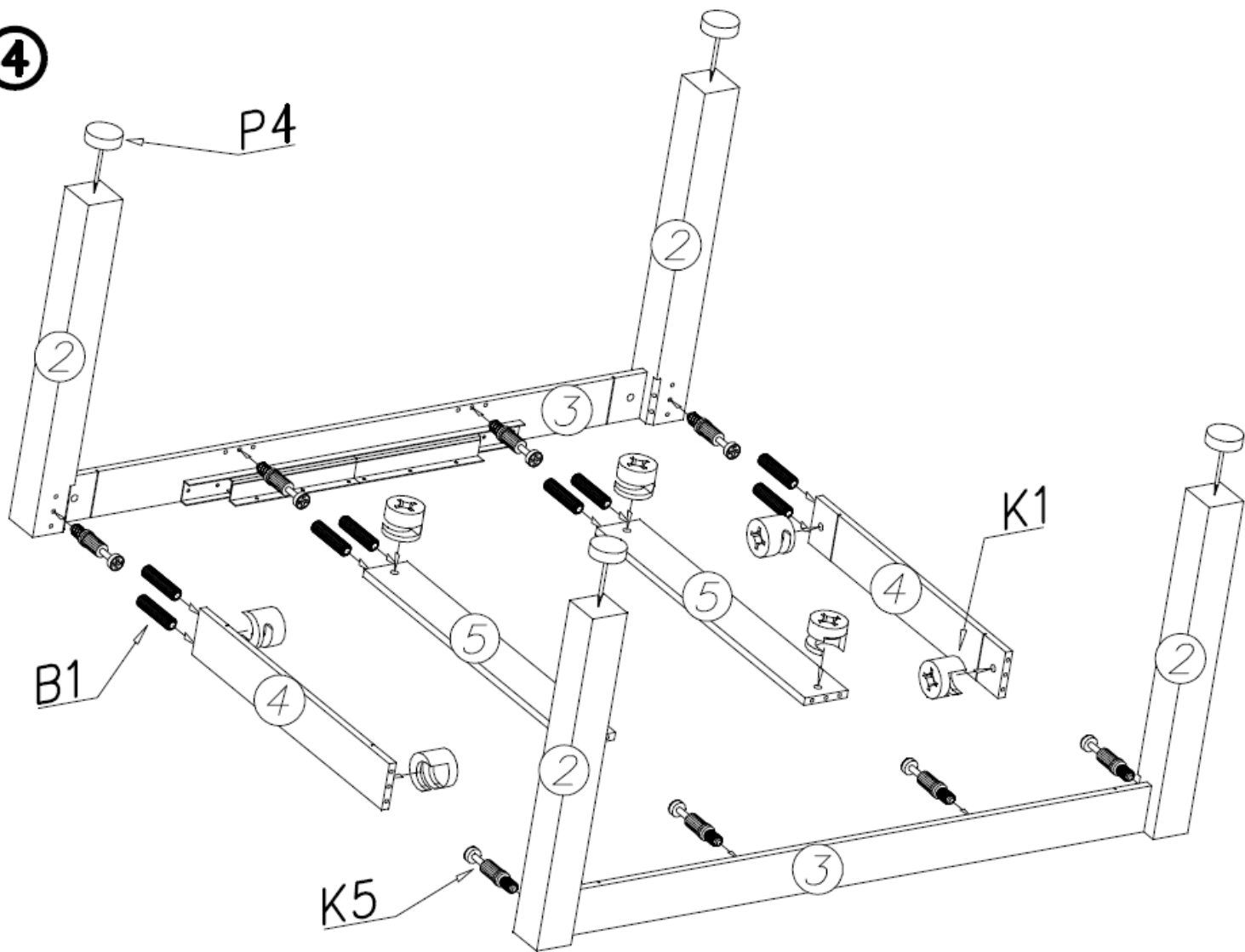
②



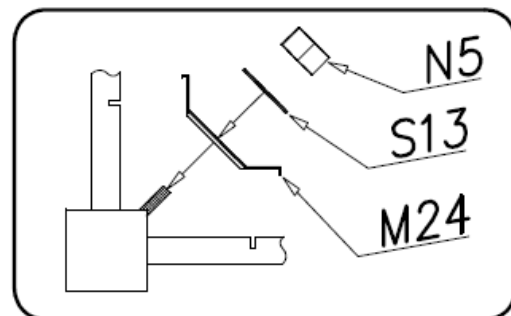
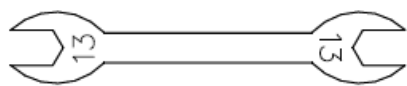
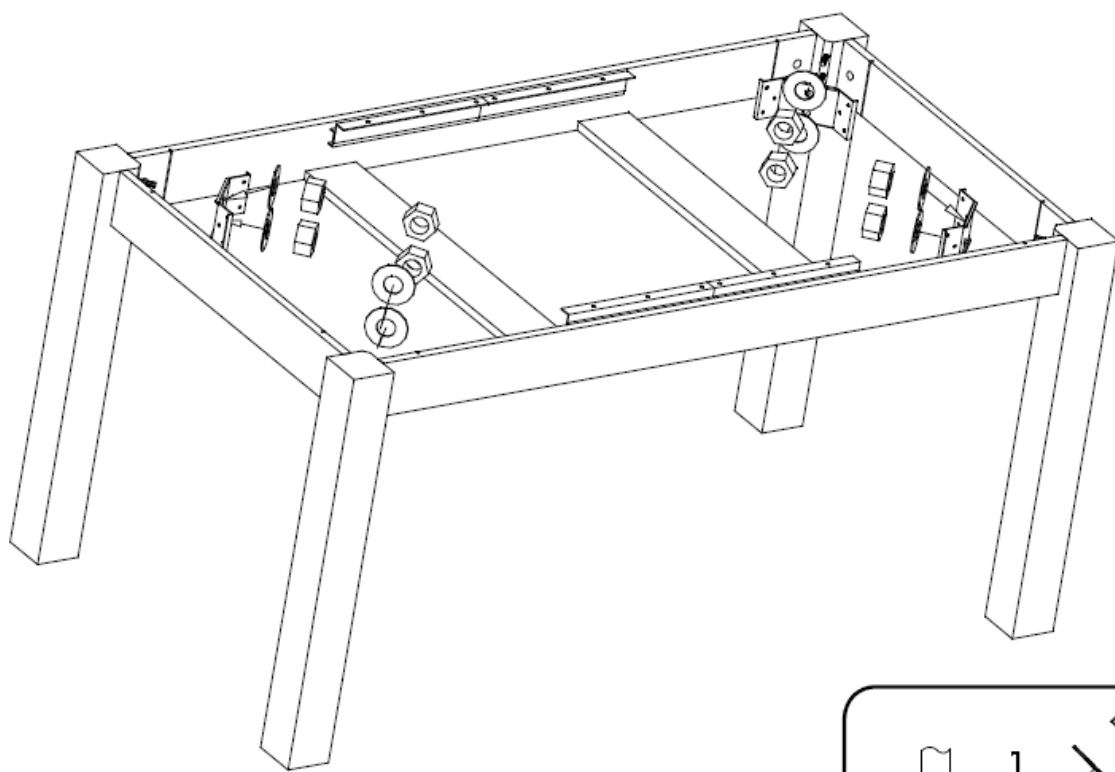
③



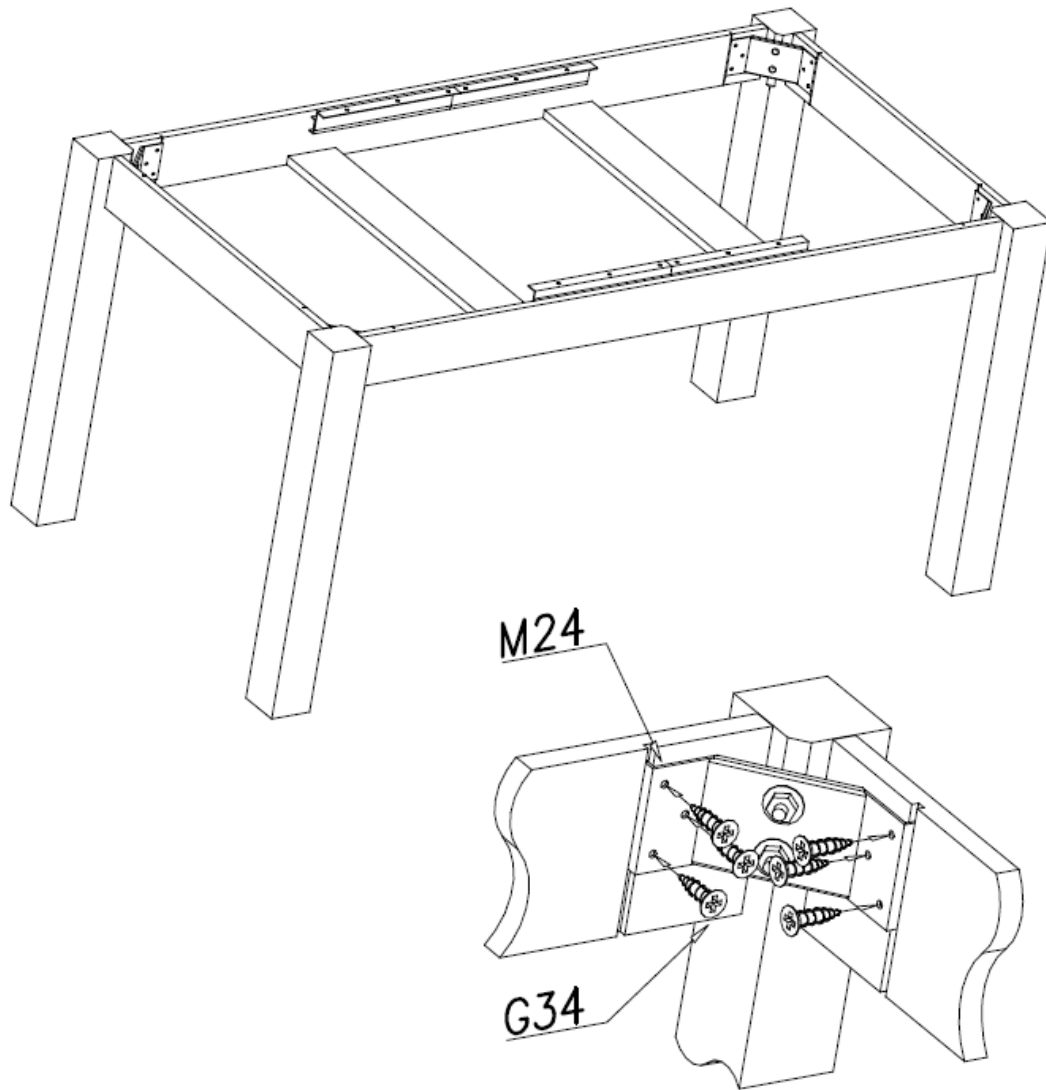
④



⑤



⑥



⑦

